



HPL+

with P3 technology

An excellent choice for theater, studio and event lighting. Innovative P3 Pinch Protection Technology enables flexible burning positions that ensures accurate aiming and supply of light wherever needed. Now designed for a longer lifespan and fewer early failures.

Compact filament approved by ETC for Source Four™ fixtures

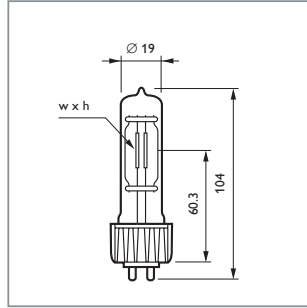
PHILIPS

APPLICATION: THEATER LIGHTING • TV / FILM / STUDIO LIGHTING • EVENT LIGHTING

Features	Benefits
HPL+	
Compact filament	High efficiency
P3 technology: Lamps can operate at higher temperatures in any burning position	Longer lifespan, fewer early failures
Best performance in Source Four™ fixtures	Higher efficiency



HPL+



HPL+



Source Four™

Dimensions in mm

Type	w x h
HPL 575/115/SL	6.0 x 9.0
HPL 575/230/SL	7.5 x 9.5
HPL 575/240/SL	7.5 x 10.0
HPL 575/115/LL	6.0 x 11.0
HPL 575/230/LL	7.5 x 11.5
HPL 575/240/LL	8.0 x 11.5
HPL 750/115/SL	6.3 x 10.5

Code	Type	Lamp wattage W	Lamp voltage V	Coil	Lumen output lm	Colour temperature K	Lamp life (average) h	Max. perm. pinch temp. °C	Burning position	Ordering number
7007	HPL 575/115/SL	575	115	4-C8	16520	3250	300	500	ANY	9245 549 34400
7007	HPL 575/230/SL	575	230	6-C8	14900	3200	400	500	ANY	9245 549 44200
7007	HPL 575/240/SL	575	240	6-C8	14900	3200	400	500	ANY	9245 549 45500
7007 LL	HPL 575/115/LL	575	115	4-C8	12360	3050	2000	480	ANY	9245 550 34400
7007 LL	HPL 575/230/LL	575	230	6-C8	11780	3050	1500	480	ANY	9245 550 44200
7007 LL	HPL 575/240/LL	575	240	6-C8	11780	3050	1500	480	ANY	9245 550 45500
7008	HPL 750/115/SL	750	115	4-C8	21900	3250	300	500	ANY	9245 551 34400



PHILIPS PINCH PROTECTION TECHNOLOGY

- **Reliability**, through longer lifetime and fewer early failures.
- **Quality**, through excellent storage characteristics and consistent performance over time.
- **Compactness**, allowing more compact design of fixtures and burning positions.

★ Philips P3 technology ★

- **Max 500° C pinch temperature**
- **Competitive technology**
Max 450° C pinch temperature
- **No pinch protection**
Max 350° C pinch temperature

Licensed under Cunningham

U.S. Patent RE 36,316 claims 9-12 and 16-17 only.
Japanese Patent #2,
501, 772 claims 6-9 only. European Patent application
#99109212.3.

No other licence expressed or implied.



You can find more info at our website www.broadway.philips.com